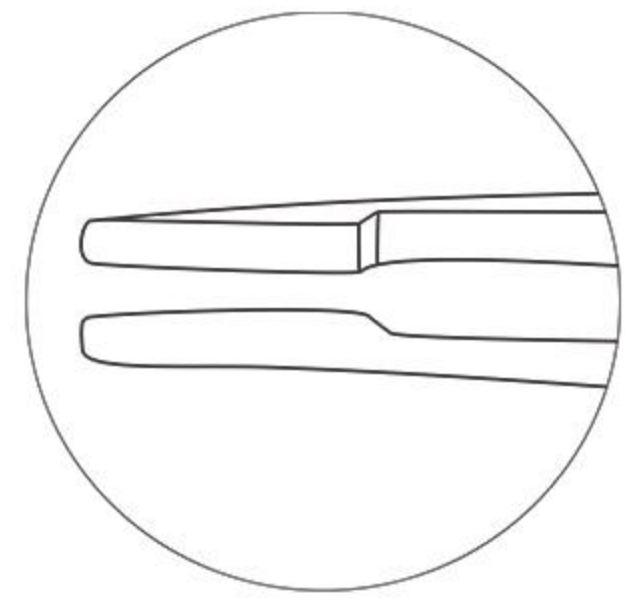
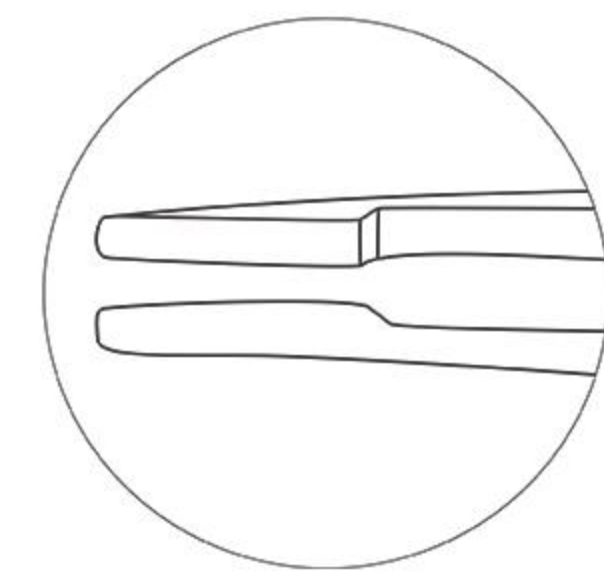


Tying Forceps 10-0
Curved, With Micro Platforms
10 cm Long
B#13168

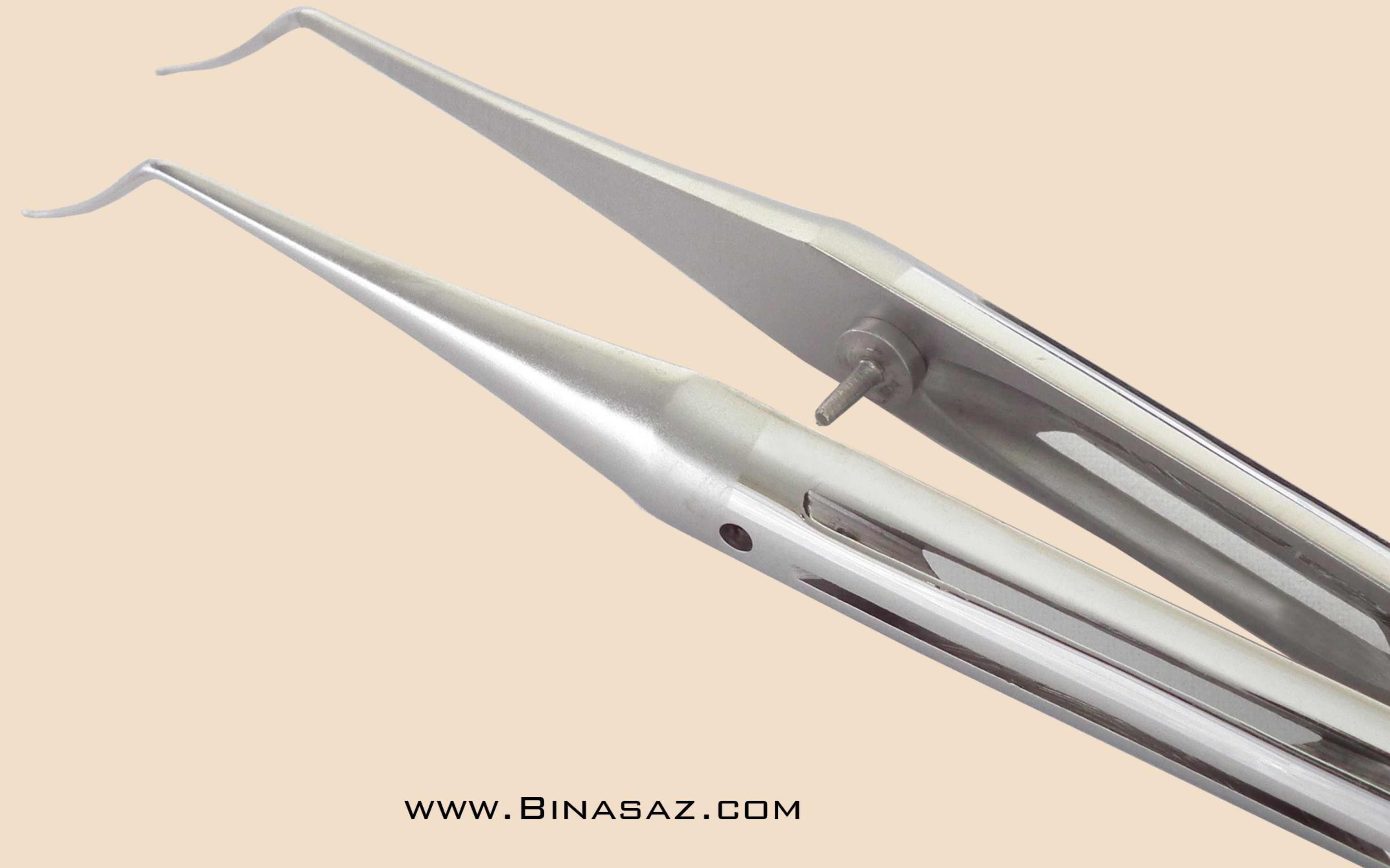


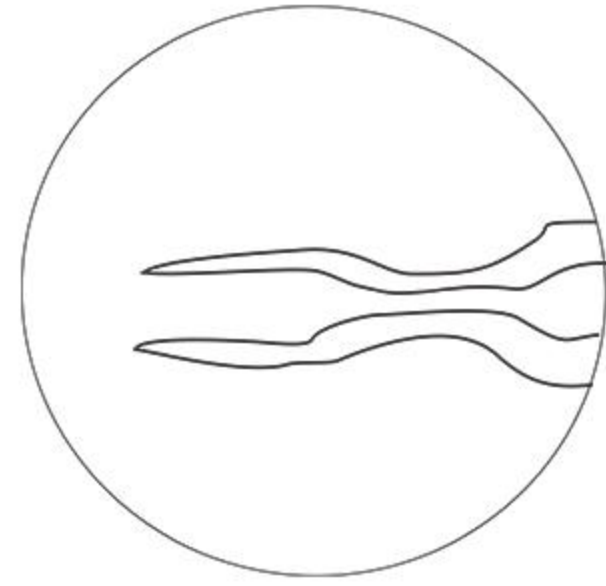
Tying Forceps 10-0
Straight, With Micro Platforms
10 cm Long
B#7850 C



Tying Forceps 8-0
Straight, With Micro Platforms
B#2432

FORCEPS

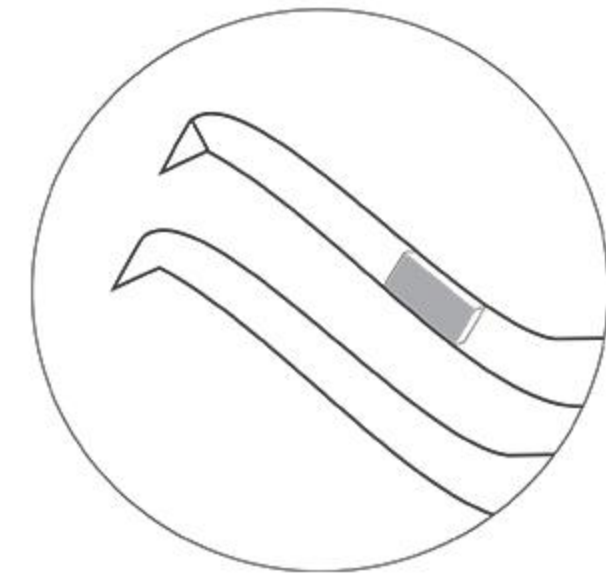




Akahoshi Phaco PreChopper

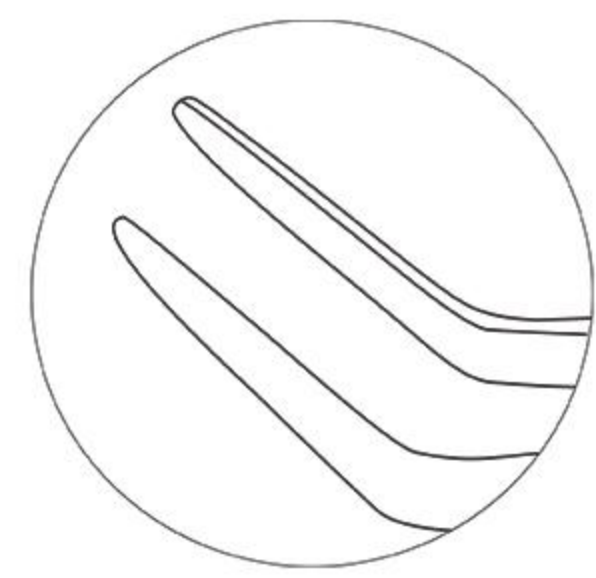
For Cracking, Dividing and Rotating
The Nucleus Without Sculpting

B#AS-130 Straight
B#AS-140 Curved



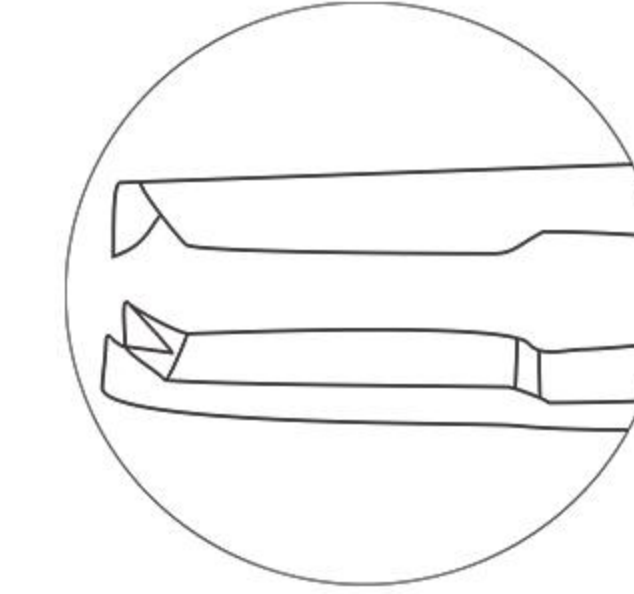
Capsulorhexis Forceps

Ergonomic, Curved
Cystotome Tips
11.5 cm long
B#18259



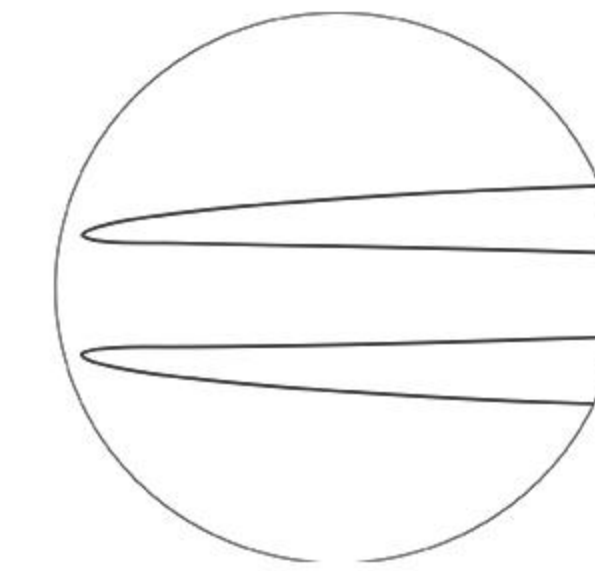
McPherson Forceps

Long Smooth Jaw
Delicate
Platform 11 mm
B#17161



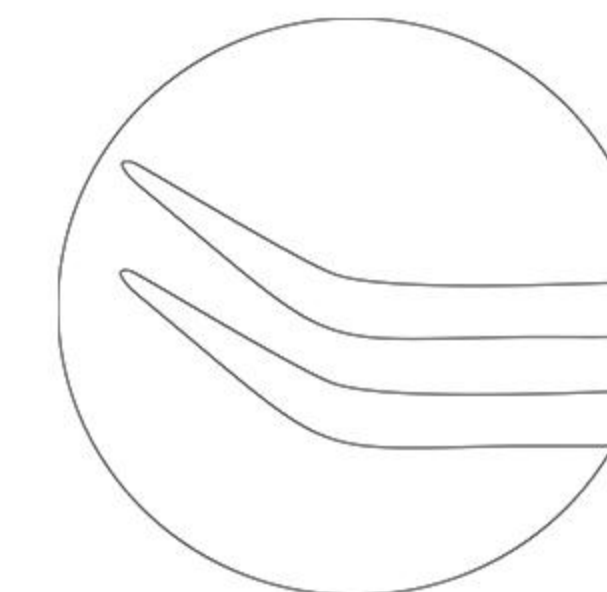
Castroviejo Forceps

Oblique Teeth 0.4 mm
With Tying Platform
B#7348



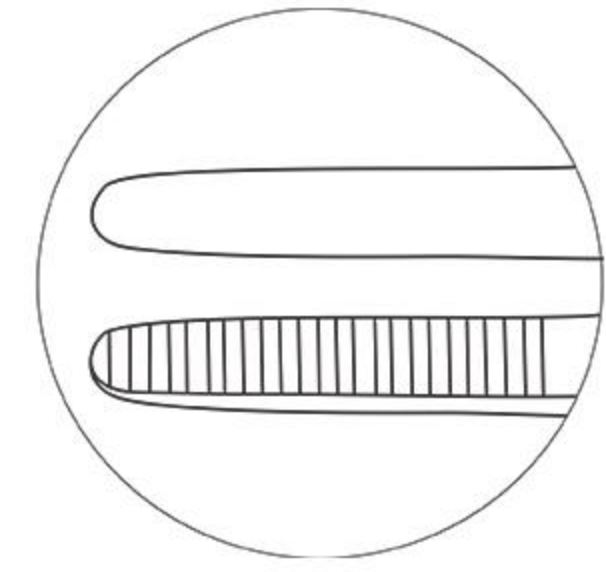
Jewelers Forceps

B#3050

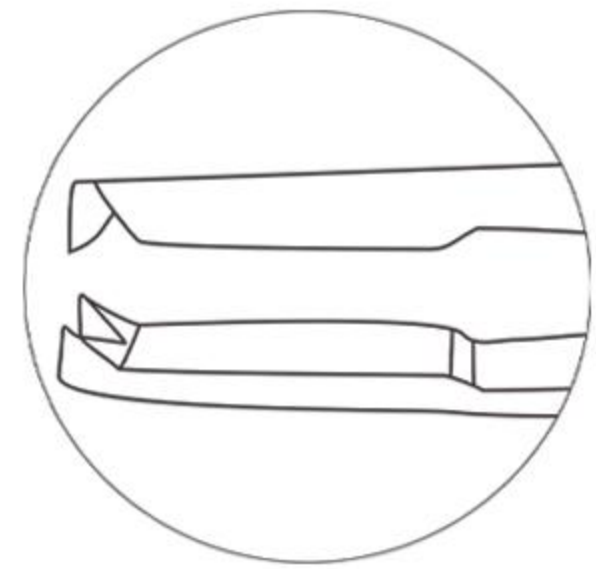


Jewelers Forceps

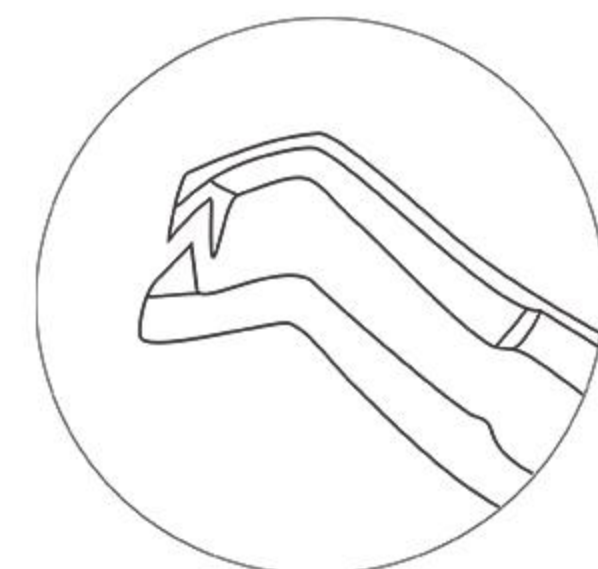
Angled
B#3060



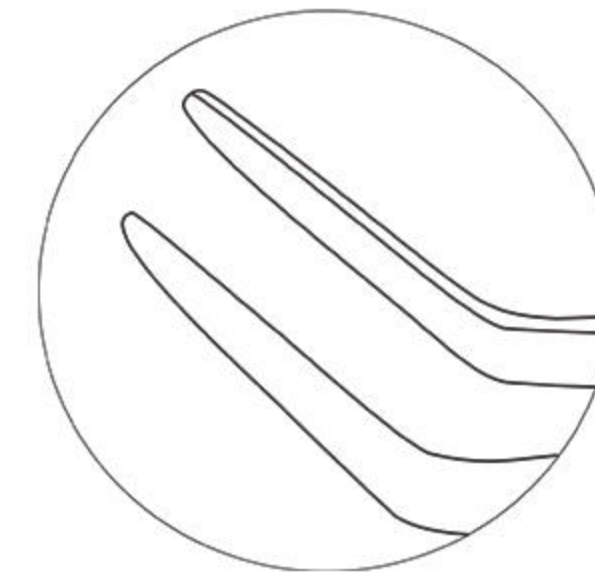
Dressing Forceps
Serrated, Delicate
Straight
B#2180A



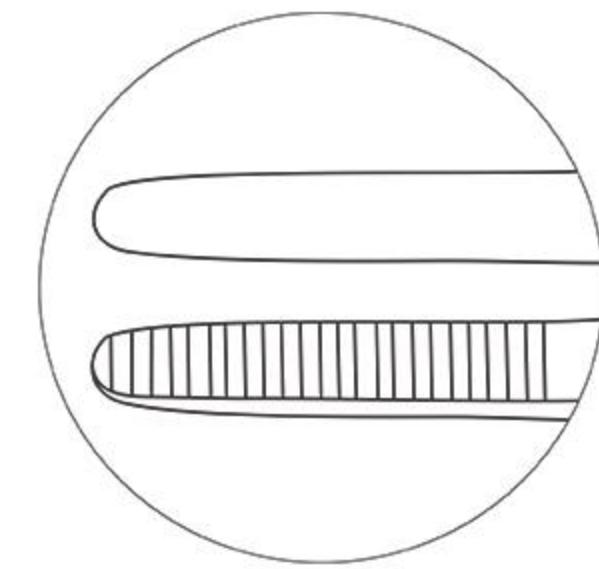
Fixation Forceps 1*2 teeth
1*2 teeth, 0.3mm
With Tying Platforms
B#3225



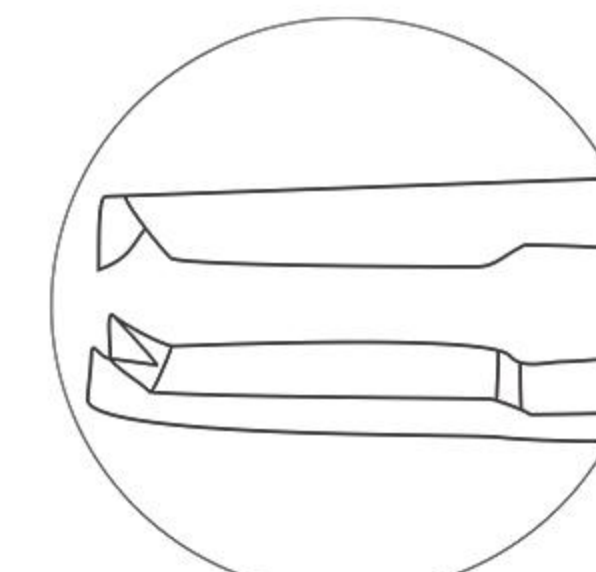
Barraquer- Troutman Forceps
Colibri Type, Oblique Teeth 0.12 mm
With Tying Platforms
B#7862



McPherson Forceps
Ergonomic, Angled
Platform 11 mm
B#13242



Bayonet
Dressing Forceps
Serrated Jaws
B#9035



Castroviejo Forceps
Oblique Teeth 0.12 mm
With Tying Platform
B#3045

فیش و پنس
F o r c e p s



Chalazion Forceps

B#2131 Medium 13 mm
B#2042 Small 11 mm



Chalazion Forceps

B#2125 Medium 25 mm
B#2044 Small 20 mm



فیش و پنس
F o r c e p s



Artisan Lens Implantation Forceps

B#13240



Lens Holding Forceps

Curved
B#13238





Mosquito Forceps Curve
B#18181



Mosquito Forceps
B#18180



Foerster Sponge Forceps
B#18200



Towel Clamp
B#18160

F o r c e p s

پیش و بست



Entropion Forceps

B#8401	Small	Left	20 mm	B#8400	Small	Right	20 mm
B#8211	Medium	Left	25 mm	B#8210	Medium	Right	25 mm
B#8441	Large	Left	30 mm	B#8440	Large	Right	30 mm



Chalazion Curette

B#40-451	Small
B#40-452	Medium
B#40-453	Large

F o r c e p s

پیش و بست